

KAUSTAV ENGINEERING

Mechanical Equipments Solutions

ABOUT US

M/s **KAUSTAV ENGINEERING** is a Leading mechanical engineering firm specializing in providing a wide range of engineering services and supply solutions. With a commitment to excellence, innovation, and customer satisfaction, we have established ourselves as a trusted partner in the engineering industry. Our expertise encompasses various domains within mechanical engineering, and we leverage cutting-edge technologies to deliver superior results to our clients.

OUR MISSION

Our mission is to provide innovative, cost-effective, and sustainable engineering solutions and supply services through the utilization of advanced technologies, best practices, and a dedicated team of professionals. We aim to contribute to the growth and success of our clients, while promoting environmentally friendly practices in the engineering sector.

CORE SERVICES

- **Engineering Design and Consulting**
- **Equipment Supply**
- **Project Management**
- **Maintenance and Repairs**
- **Energy Efficiency and Sustainability**
- **Supply Through-GeM & CPP**

OUR SERVICES

- **Mechanical Equipment's Basic and Detail Engineering**
- **Reverse Engineering**
- **3D Modelling, Simulation & FEA**
- **New Product Development**
- **Standardization of the Products**
- **Layout design**
- **Refurbishment Jobs**
- **Sheet Metals and Switch Gear Panels(CNC Punching, Bending & Nesting)**
- **2D to 3D conversion (Any Format)**
- **Design & 2D drawing Preparation.**
- **Brush Up training NX, SolidEdge, SolidWorks, AutoCad Mechanical, ZW CAD application with Live project Experience**

ENGINEERING ,3D MODELLING AND DRAWINGS

4 Welded joints and loads/ stresses - Basics
Stress basics

- Stress flow:
- Stress distribution:
- Simple way to improve weld → Machinegrind the surface!

General Stress Analysis
Main equation

$$\frac{\sigma_{max}}{F.o.S.} \cdot v = \sigma_{allow} \geq \sigma_{comb}$$

σ_{max} ... max. allowable stress (table 11, from DIN 15018)
 FoS ... Factor of Safety
 v ... Factor for welding quality
 σ_{allow} ... max. allowable stress
 σ_{comb} ... combined stress

General Stress Analysis
Factor of safety add, given max. stress

The factor of safety is individually defined by the kind of application:

- **Ground Equipment with defined load**
 - not safety critical (no danger for persons if weld fails)
 - max. possible load is known and so further load possible (e.g. Cranes, hoists)**FoS = 1.25**
- **General Ground Equipment**
 - not safety critical (no danger for persons if weld fails)
 - max. possible load is known but further loads are possible but not likely (e.g. General structure, support frame)**FoS = 1.50**
- **Manipulating Equipment**
 - not safety critical but failure would cause massive damage to operation
 - max. possible load is known but further loads are possible but not likely (e.g. Technological equipment, lifting equipment but not assembly)**FoS = 1.75**
- **LIFTING Equipment**
 - safety critical
 - max. possible load is known (e.g. Lifting equipment, lifting bags of overhead transport equipment, liquid steel equipment)**FoS ≥ 2.00**

All are only applicable for the General Stress Analysis but NOT for Fatigue Analysis see: DIN 15018

General Stress Analysis
Combined stress

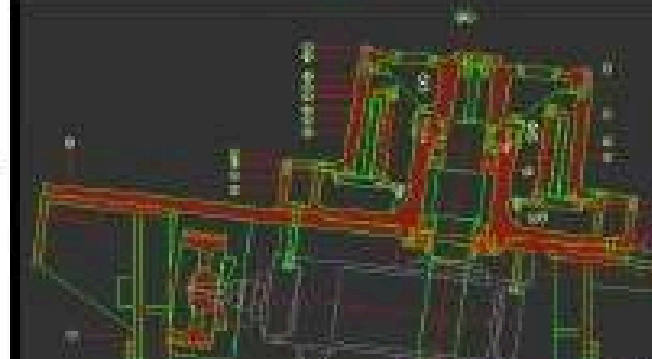
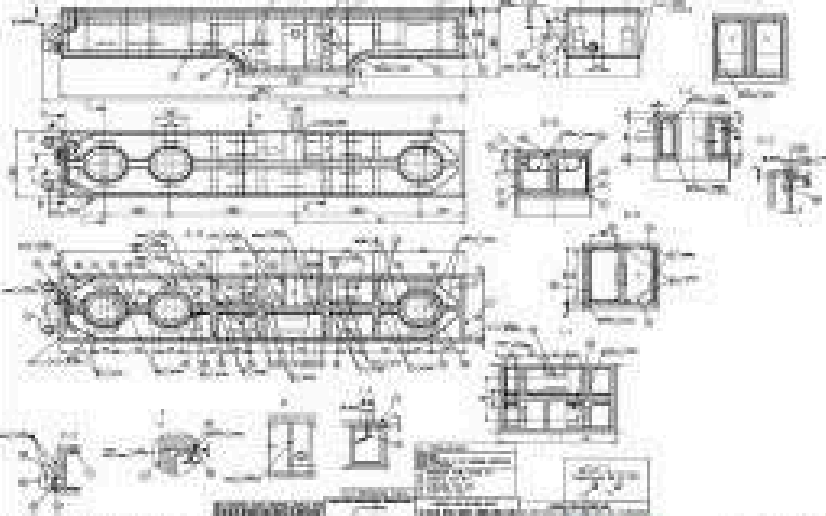
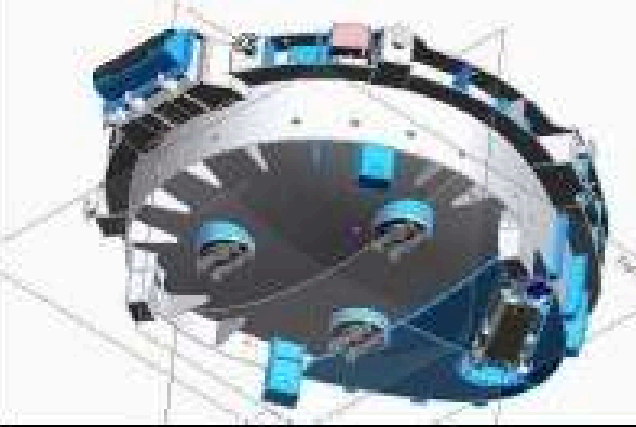
The combination of several stresses in one part shall always be considered

$$\sigma_{comb} = \sqrt{\sigma_b^2 + 3 \cdot \tau^2}$$

$$\sigma_{comb} = \sqrt{\sigma_t^2 + \sigma_c^2 + 3 \cdot \tau^2}$$

σ_b ... bending stress
 τ ... shear stress
 σ_t ... tensile stress
 σ_c ... compressive stress

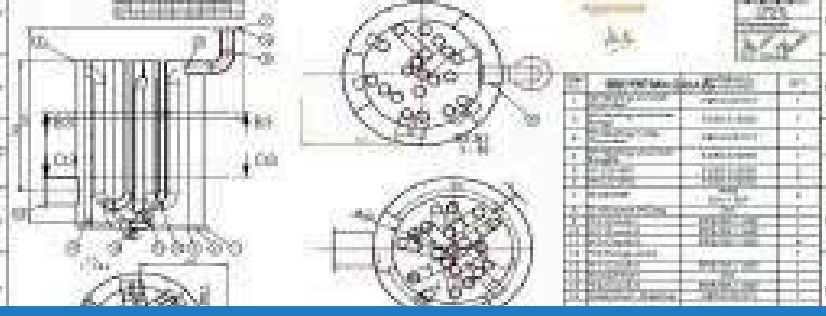
Depending on the type of stresses which are in the joint, the applicable formula shall be used:



General Stress Analysis
Shear stress in longitudinal welding seams in beams

$$\tau = \frac{F \cdot A_1 \cdot y_1}{I \cdot \Sigma a}$$

τ ... shear in longitudinal welds in a beam
 F ... force
 A_1 ... Area(s) above the discussed weld
 y_1 ... Distance from Axis to centre of A_1
 I ... Moment of Inertia of whole beam
 Σa ... sum of all welding sizes at the discussed area

$$\tau_{ij} = \frac{F \cdot (A_1 \cdot y_1 + A_2 \cdot y_2)}{I \cdot \Sigma a}$$


ENGINEERING PRODUCTS



WHY WE?

- We do everything in Standards and following all the conventions required in the field of Manufacturing, Engineering, understanding and presentations.
- Qualified and Experienced Professional Team
- Cost Efficiency
- Accuracy and Innovation
- On-Time Delivery
- Application High End Engineering Tools
- Use of High end Engineering Tools like -NX, PDS, SOLID EDGE, SOLID WORKS, AUTOCAD MECHANICAL etc

QUALITY

M/s Kaustav **Engineering** is an innovative Engineering & Manufacturing company associated with Engineering, Design & Manufacturing of construction Machineries.

Commitment

The organization is committed to work persistently to meet or exceed the customer's requirements. We are also committed for the continual improvement of the system.

Objectives

Our objectives are to maintain the highest level of customer satisfaction through continuous improvement of processes and to continually strive at keeping work related injuries to a minimum. These objectives are achieved through teamwork and as per the standard procedures which provide the framework for the realization of our quality process.

Responsibility

The Management of Kaustav **Engineering** accepts full responsibility for allocating the necessary resources in training, initiatives and technology required to maintain this Quality System.

This Quality Policy shall be posted, understood and implemented at all levels of the organization.

SERVICE AND SUPPLY

RESERACH & SCIENTIFIC INSTRUMENTS

<p>BATTERIES</p> 	<p>HOT AIR OVEN</p> <ul style="list-style-type: none"> • PID/PID based controller • Temperature range: 50°C-300°C • Customizable sizes • Fully SS (304/316/316L Model) / Inner SS models 	<p>HOMOGENIZER</p> <ul style="list-style-type: none"> • 24 samples can be processed simultaneously • Refrigeration function -20°C to -2°C • Interchangeable rotor (Rotors of various sizes available) 	<p>PCR MACHINE</p> <ul style="list-style-type: none"> • 96-well 960 touch screen • Compact size • Built-in gradient calculator • Unique heating lid design • High ramp rate 	<p>TUBE ROTATOR</p> <ul style="list-style-type: none"> • Microprocessor based system • Different rotors for 1.5 ml, 5 ml, 10 ml tubes • Speed 10-100 RPM • Vertical and horizontal rotator
<p>COBUSTIBLE GAS DETECTOR</p> 	<p>LABORATORY INCUBATOR</p> <ul style="list-style-type: none"> • Dual display PID controller • Display IV & PV • Temperature range- Ambient-30°C • Auto tuning feature • Multiple sizes available • Fully SS 304 (GMP Model) / Inner SS, Outer MS 	<p>ULTRA LOW TEMPERATURE DEEP FREEZER</p> <ul style="list-style-type: none"> • Multiple size options • Vertical / Horizontal models • Cold Rolled steel • Temperature upto -86°C 	<p>AUTOCLAVE</p> <ul style="list-style-type: none"> • Fully Automatic • Horizontal / Vertical • Starts from 22L • PID/PLM Controlled • Data logging system 	<p>ROTARY EVAPORATOR</p> <ul style="list-style-type: none"> • Large LED Display • Speed range: 20-200 RPM • Temperature range: RT-180°C • Reversible Direction of Rotation • USB interface available
<p>BIO SAFETY CABINET</p> <ul style="list-style-type: none"> • Class II/III • HEPA/ULPA filter available • Maximum air change rate • Complies with ISO 14644 • Inner SS/Outer MS • Customizable sizes 	<p>LABORATORY BOD INCUBATOR</p> <ul style="list-style-type: none"> • Microprocessor based system • Fully SS (GMP Model) / Inner SS, Outer MS • Temperature ranging from 5°C to 60°C • Customisable sizes. 	<p>HUMIDITY CHAMBER</p> <ul style="list-style-type: none"> • Microprocessor based control system • Auto filling water system • Temp. Range: 5°C-60°C • Humidity Range: 40%-95% RH • Low/High buzzer for temperature and humidity • Multiple sizes available 		
<p>PH METER</p> 	<p>CARBON DIOXIDE INCUBATOR</p> <ul style="list-style-type: none"> • Microprocessor digital display • iR/TC sensor for accurate CO2 concentration • Class III air filter • with or without shaking • SS/MS/ABS cover available 			

SOLAR, LAB FURNITURE, MEDICAL OT BEDS, MONITORS & FURNITURE



The collage displays a wide range of products including:

- Lab Furniture:** Various configurations of lab benches, cabinets, and storage units.
- Medical OT Beds:** Adjustable operating tables with side rails and wheels.
- Monitors:** Medical monitors displaying vital signs like heart rate (60), SpO2 (98), and blood pressure (120/80).
- Chairs:** Different styles of office and lab chairs.
- Solar Equipment:** Solar panels and related components.
- Other Furniture:** Sofas, tables, and general office furniture.

Environment Monitoring Automation Solutions

1. COMPACT WEATHER STATION

MINI MULTI SENSOR DATA LOGGING, STORING, AND PUSHING OF DATA WEATHER STATION. 2-16 CHANNEL INPUT CAPABILITY. SENSORS LIKE TEMPERATURE, HUMIDITY, WIND SPEED , DIRECTION , SOLAR RADIATION , RAIN GAUGE AND OTHER ENVIRONMENTAL SENSORS. CLOUD DASHBOARD FOR ANALYSIS, LIVE DATA DISPLAY ON LCD, TEXT ALERTS , EXCEL FORMAT , EMAIL ALERT DATA LOGGING UNIT CUSTOMIZED ALONGWITH POLE MOUNTING , INSTALLATION



2. LIVE REMOTE TEMPERATURE , HUMIDITY MONITORING AND ALERT SYSTEM

TEMPERATURE AND HUMIDITY BASED DATA LOGGING UNIT WITH DATA SENSING , RECORDING , ANALYZING AND ALERTING THE USER AS PER CUSTOMIZATION ALERTS LIKE SMS , EMAIL , MOBILE APP ,CLOUD DASHBOARD , HOOTER , LED DISPLAY ETC AVAILABLE AS PER CUSTOMER REQUIREMENTS



3. WEATHER INFORMATION OUTDOOR DISPLAY

LIVE ENVIRONMENTAL PARAMETERS CAN BE DISPLAYED ON CUSTOM SIZE LED WALL AS PER REQUIRED. POLE AND WALL MOUNTING DISPLAY AS PER CUSTOMER SITE CAN BE PREPARED



4. TEMPERATURE & HUMIDITY SENSOR

STANDARD ADVANCETECH BRAND BASED TEMPERATURE AND HUMIDITY SENSOR OPERATING TEMPERATURE = -40-+60 DEG CELSIUS OR AS PER APPLICATION



5. SOIL MOISTURE SENSOR

STANDARD ADVANCETECH BRAND BASED SOIL MOISTURE SENSOR FOR SOIL HEALTH ANALYSIS AND AGRICULTURE APPLICATION WITH FACILITY OF DATA RECORDING AND STORAGE



Environment Monitoring Automation Solutions

6. AIR QUALITY MONITOR (INDOOR)

AMBIENT AIR QUALITY MULTI SENSOR DATA LOGGING, STORING, AND PUSHING OF DATA WEATHER STATION. 2-16 CHANNEL INPUT CAPABILITY. SENSORS LIKE TEMPERATURE, HUMIDITY, PM 2.5 , PM 10 , CO , CO2 , SO2 AQI AND OTHER AIR QUALITY SENSORS. CLOUD DASHBOARD FOR ANALYSIS, LIVE DATA DISPLAY ON LCD, TEXT ALERTS , EXCEL FORMAT , EMAIL ALERT DATA LOGGING UNIT CUSTOMIZED ALONGWITH POLE MOUNTING , INSTALLATION



7. WATER QUALITY METER

WATER QUALITY PARAMETER LIKE PH , TDS , LEVEL , FLOW ETC DATA LOGGING UNIT WITH DATA SENSING , RECORDING , ANALYZING AND ALERTING THE USER AS PER CUSTOMIZATION ALERTS LIKE SMS , EMAIL , MOBILE APP , CLOUD DASHBOARD , HOOTER , LED DISPLAY ETC AVAILABLE AS PER CUSTOMER REQUIREMENTS



8. DIGITAL WATER LEVEL RECORDER

WATER LEVEL PARAMETER DATA LOGGING UNIT WITH DATA SENSING , RECORDING , ANALYZING AND ALERTING THE USER AS PER CUSTOMIZATION ALERTS LIKE SMS , EMAIL , MOBILE APP , CLOUD DASHBOARD , HOOTER , LED DISPLAY ETC AVAILABLE AS PER CUSTOMER REQUIREMENTS



9. WIND SPEED & DIRECTION

STANDARD ADVANCETECH BRAND WIND SPEED & DIRECTION BASED FOR AIR VELOCITY APPLICATION FOR RAILWAYS , METRO , AIRPORT AUTHORITIES WITH FACILITY OF DATA RECORDING , STORAGE AND ALERT MECHANISM



10. PYRANOMETER

STANDARD ADVANCETECH BRAND BASED SOLAR RADIATION SENSOR



SERVICE AND SUPPLY

KAUSTAV ENGINEERING STORAGE SYSTEMS

MEZZANINE FLOORS



Catwalk Storage System



Slotted Angle Mezzanine Floor



SLOTTED ANGLE RACK



SLOTTED ANGLE RACK



Wire Mesh Trolley



Goods Trolley



SERVICE AND SUPPLY

KAUSTAV ENGINEERING STORAGE SYSTEMS

CABLE TRAY



Movable Rack



Two-Tier Rack



Bend Tee Reducer



SERVICE AND SUPPLY

KAUSTAV ENGINEERING STORAGE SYSTEMS

MULTI TIER RACK



Cantilever Type Rack



PALLETS RACK



PALLETS PLATE



MOBILE RACK



Hand Pallet Truck



Plastic Drawer



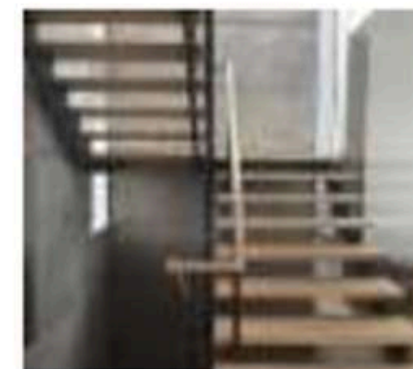
Plastic Bins



Bins



Plastic Crate



Dogleg Stair



Bookshelf

ACTIVITIES

ALL GEARED MILLING & DRILLING

METAL SHELVES RACK



ACTIVITIES

ACTIVITIES & TRAINNING



STATIONARIES, ELECTRICALS & HOUSE KEEPING

STATIONARIES	
1	Binder Clip of Size 32mm
2	Binder Clip of Size 41mm
3	Binder clip of size 19mm
4	Binder clip of size 25mm
5	Binder clip of size 15mm
6	Binder clip of size 51mm
7	Correction white fluid pen
8	Glue Stick of 15 gms
9	White board marker pens set of 4 colours
10	Permanent marker pens set of 4 colours
11	White board duster, magnetic.
12	Tape dispenser
13	Coloured paper clip
14	Cutter knife
15	Self adhesive note sheet, 2inx3in
16	Self adhesive note sheet, 3inx3in
17	Self adhesive note sheet, 3inX5in
18	Punch machine of Big size
19	Punch Machine DP-600 or equiv.
20	Stapler machine, small size, no 10
23	Stapler Pin, size 10, 20x50
24	stapler pin no. 24/6
25	Transparent adhesive tape of size 24 mm
26	Transparent adhesive tape of size 48 mm
27	Printing paper, size A4, 75 GSM
28	Printing paper, size A3, 75 GSM
29	Fullscap paper
30	Flat File with spring holder
31	Poly cotted Envelope of size 17inx14in
32	Box File with spring holder
33	Plastic Folder, both side transparent A4
34	Poly cotted Envelope of size 14inX12in
35	Medium economic range writing ball pen b
36	Higher economic range ball pen red
37	Higher economic range ball pen green
38	Higher economic range ball pen black
39	Standard Calculator
40	Register-No.6
43	Register-No.12
44	Dak despatch Register No. 30
45	Dak Receipt Register No. 30
46	Plain Envelope 11inX4.5in
47	Plastic Scale
48	Scissor(17.5 cm)
49	Rubber band of size-10
50	Cover file
51	Brown Tape 2in
52	Note Pad No. 40
53	Notepad (14.0 cm x 22.0 cm)
54	Slip pad small size (14.0 cm x 22.0 cm)
55	spiral note book (14.8 c.m. X 21.0 c.m)
56	Spiral note book (17.6 c.m. X 25.0 c.m.
57	Spiral Pocket note book
58	Uniball pen
59	Gel Pen
60	hi-tech point pen
61	Page marker
62	Book marker
65	Adhesive Tape 1in
66	Eraser
67	All out machine
68	All out refill
69	Good Night (Mousquitto repellent)
70	
71	
72	
73	
74	
75	
76	
77	

ELECTRICALS	
1	PVC SWITCH BOARD 10 X 8
2	18 WATT LED TUBE FITTING
3	9 WATT LED BLUB
4	ALUMINIUM BTC WIRE - 10 SQ MM
5	40 AMP SP MCB 10 KA (BB10400C)
6	16 AMP SP MCB 10 KA (BB10160C)6-16 Amp
7	15 AMP S.S. COMBIND WITH BOX
8	6 AMP S.S. COMBIND WITH BOX
9	15 WATT LED BULB
10	BULKHEAD FITTING LED 10 Wt / HAV
11	16 AMP SP MCB 10 KA (BB10160C)
12	6 AMP SWITCH
13	ALUMINIUM BTC WIRE - 6 SQ MM
14	PENDENT HOLDER
15	10 WATT LED TUBE FITTING
16	32 AMP SP MCB 10 KA (BB10320)
17	HAV DB 6WAY SPN S/D
18	16 AMP SWITCH
19	ANC SWITCH 6A (38014 / 50010)
20	16 AMP SOCKET
23	16 AMP SOCKET
24	ALUMINIUM BTC WIRE - 2.5 SQ MM
25	25 MM CASSING CAPPING
26	PHILIPS 12W LED EMERGENCY BULB
27	CROMPTON LSDRMN SLIM FLAT 12W LED PANNEL LIGHT
28	CROMPTON 15W COLOUR LED ROUND PANEL
29	DURAVOLT DLITE POLYCARBONATE BATTEN HOLDER
30	POLY CAB ETIRA /FINOLEX CU MULTISTRAND WIRE1.0SQMM FR 90
31	6 AMP ANCHOR PENTA SWITCH(Modular)
32	HAVELLS 20W TUBE LIGHTS
33	AA Cell
34	AAA Cell
35	All types of ables

HOUSE KEEPING	
1	Harpic (1 Ltrs.)
2	Detol Hand wash
3	Phenyl 5 Ltrs Jar (white)
4	Phenyl 5 Ltrs Jar (Black)
5	Black Hit
6	Tissue paper
7	Detol 500 ½ Ltrs(Hand wash Liquid)
8	Garbage Bag (Big)
9	Garbage Bag (Small)
10	Room freshener (Air)
11	Odonil
12	Chittrolla(Floor cleaner)
13	naphthaline balls kg
14	Harpic 500ml
15	odonil
16	Handwash 5L
17	Napkin Paper
18	Colin
19	Napkin Multifold
20	Toilet Brush
23	Shampoo
24	Toothpick
25	Room Freshner
26	Lizol
27	Surf Excel
28	Wiper
29	Broom
30	Hand Sanitizer 5 ltr
31	Register 336 page
32	scrubber
33	Register 336 page
34	scrubber
35	scrubber
36	
37	
38	
39	
40	



PRODUCTS AND SUPPLY

MECHANICAL COMPONENTS

MECHANICALS	
PIPE	BEARING
SEAMLES FITTINGS	SKF
ERW PIPE FITTINGS	FAG
BUTTWELD FITTINGS	NBC
FLANGE FORGED FITTINGS	TATA BEARING
MARK ii DEEPWEL	HMT
HAND PUMP & FITTINGS	NACHI
C.I PIPE & FITTINGS	ZKL
C.I SLUICES VALVE	FBJ
REFLUX VALVE	TIMKEN
G.M VALVE	ADL
AIR STEAMER BOILER	MSGILL
	NTN
SAFETY PRODUCTS	KAYO
	NSK
STAINLESS SHEETS, PLATES	HCH
	IKO
STAINLESS PIPE & FITTINGS	
SOLUTIONS FOR INDUSTRIALS NEEDS	PULLEY & COUPLING
BOSCH	
POLYMAK	
SUMAKE	
KAYMO	
DREMEL	
HILTI	
MITUTOYA	
YATO	
STIHL	
STANLEY	
FISCHER	
PILOT	



MECHANICALS
SPRINGS
COMPRESSION SPRING
COUPLING SPRINGS
VOLEUIDE SPRING
CIRCLIP
DOLPHIN SPRINH
SPRING WASHER
FASTENERS
HIGH TENSILE FASTENERS
ANCHOR FASTENERS
MS BOLY & NUT
SS BOLT & NUT
GI BOL & TNUTS
HYDRAULICS & PNEUMETRIC
PNEUMETRIC & SOLENOIDS VALVES
PUSH FITTINGS
PU TUBES
HYDRAULIC FITTINGS
FLUIDS CONTROL VALVES
CLAMPS
COUPLINGS
HIGH PRESSURE HYDRAULIC HOSES & FITTINGS
WIRE ROPES
ELECTRIC & HAND WINCH
HOT/EOT CRANE
HYDRAULIC PALLET TRUCK & HAND TOLLY
TURN BUCKLE & D-SHACKLE

MACHINES
POWER TOOLS
WELDING MACHINES
HYDRO TEST PUMP
HYDRAULIC JACK
PIPE BENDER
CHAIN PULLEYS
HAND TOOLS
PROCESS MILLS
MURF RCASTER
GRINDER
RICE MILL
PULVERIZER
CHIKEN MACHINE
SS PULVERIZER
CLEANER & RICE GRADER
PALARHIGAR
HAMMER PALARHIGAR
CENTRIFUGAL CHALNA
DAL MACHINE
EMARY STONE



SPECIAL COMPONENTS

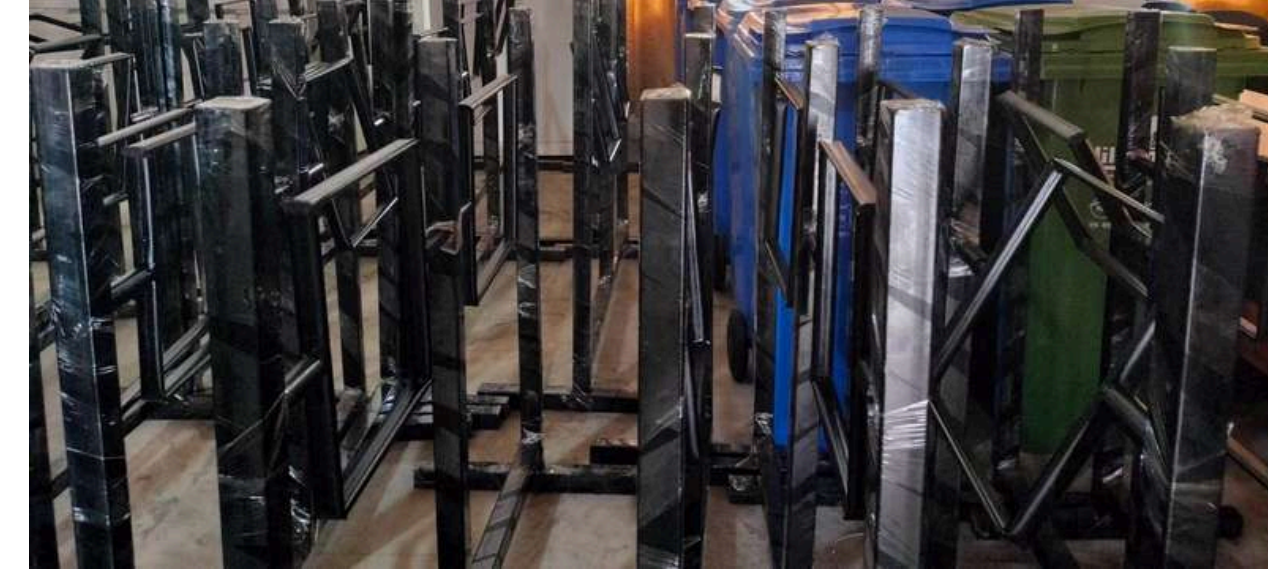
<p>SAFETY CONE/ROAD BARRIED</p>	<p>CEALING PANEL LIGHTS</p>	<p>PLANT GROWTH CHAMBER</p>	<p>HIGH PRESSURE WASHER</p>	
<p>EXIDE XPRESS</p>	<p>AUTOMATIC WEATHER CHAMBER</p>	<p>AMARON GUANTA</p>		

We are easily available at Guwahati, Assam and Entire Nort East
Mailto: info@kaustavengineering.com
M:9831072858

PRODUCTS AND SUPPLY

FIRE FIGHTING SOLUTIONS

WASTE DUSTIBIN



FLOOR TILES SOLUTIONS



PRODUCTS AND SUPPLY

FIRE FIGHTING SOLUTIONS

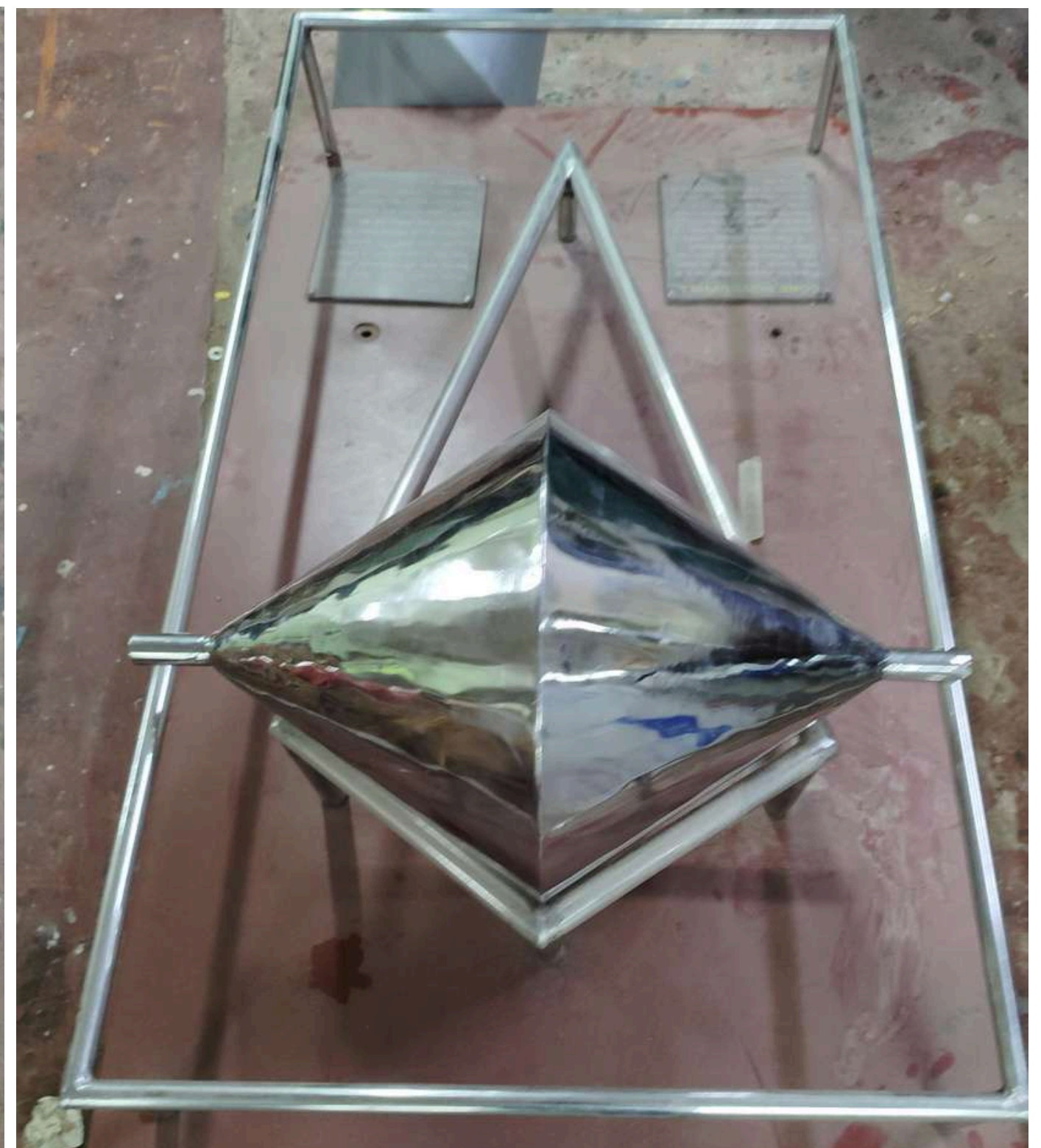
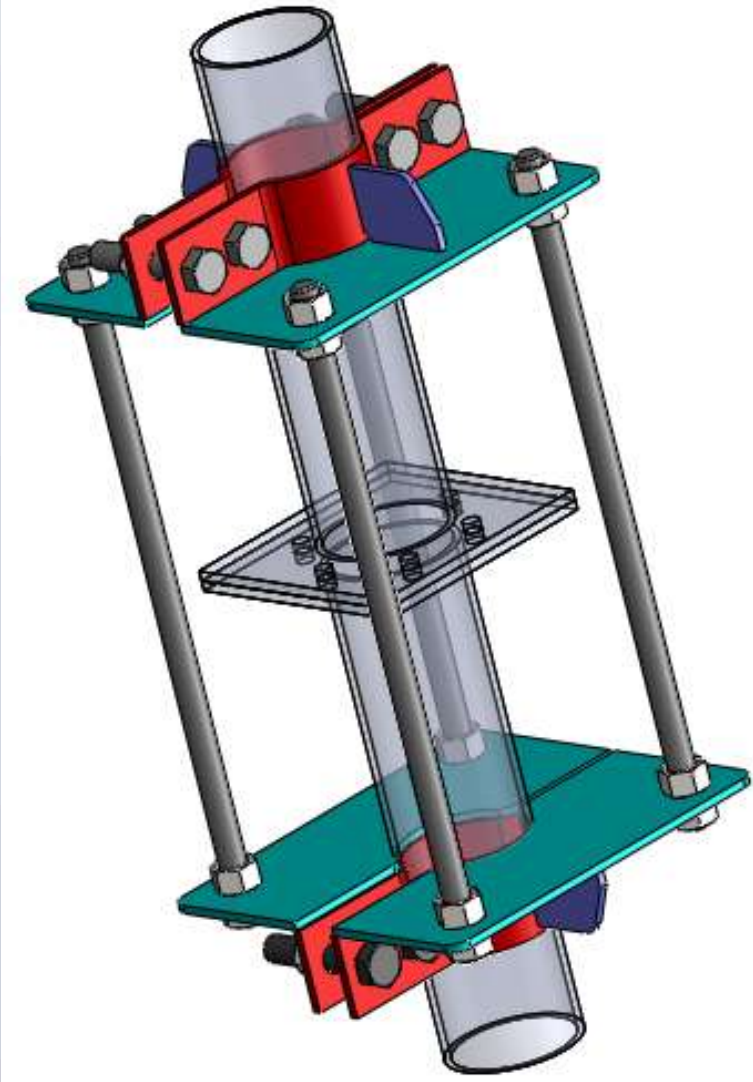
WASTE DUSTBIN

BILL OF MATERIALS

ITEM NO.	DESCRIPTION	MATERIALS/STANDARD	QTY.	REMARKS
1	Pipe with Hange	STRUCTURE	D	For Ref. (Not in scope)
2	Horizontal bar plate	Ms 1018/A/IS 2062	4	
3	Vertical bar plate	Ms 1018/A/IS 2062	4	
4	STD. M16x100	CF 8.8	4	
5	Washer	Ms 1018/A/IS 2062	4	
6	NUT M16	CF 8.8	24	
7	Flat Washer 100	CF 8.8	8	
8	Flat Washer	A16	12	
9	Spring washer	SW-16	12	

N.B:
 1. PAINTED WITH CORROSION RESISTANT "DOUBLE COATING" PAINT THICKNESS 850 MICRONS TO BE MINIMUM TO ENABLE TO RESIST ITS HEAT TRANSFER. SURFACE PREPARATION AND TREATMENT TO BE IN ACCORDANCE WITH PAINT SPEC. 2. ALL EDGES, CORNERS AND HOLES TO HAVE BURRS REMOVED. ALL WELDS AND CUTS TO HAVE SLAG AND LOOSE MATERIAL REMOVED.

Dimension (Not as indicated in the drawing) may not be determined by measurement and rating!



RECENTLY COMPLETED ASSIGNMENTS



Creality3D K1
High Speed 3



Cryogenic Liquid Nitrogen
Container



BPE 20KVA-ONLINE
UPS



MOTORISED TILT TABLE
(HEIGHT ADJUSTABLE)



PARALLEL WALKING
(BAR)



SURGICAL SCRUB BIN



364LTRS HORIZONTAL
CYLINDRICAL AUTOCLAVE



AT FABRICATION WORKSHOP

CLIENTELE



INDIAN EXPLOSIVE LIMITED, JHARKHAND



NATIONAL INSTITUTE OF TECHNOLOGY, MEGHALAYA



ICAR-CIFRI, KOLKATA



SPORTS AUTHORITY OF INDIA



JBFS, KOLKATA



BRAHMAPUTRA CRACKER AND POLYMER LIMITED



GREENVIROMENTAL GLOBAL, KOLKATA



GAUHATI UNIVERSITY



ASSAM AGRICULTURE UNIVERSITY, JORHAT



AIRPORTS AUTHORITY OF INDIA



MECON LIMITED, RANCHI, JHARKHAND



INSTITUTE FOR PLASMA RESEARCH



KAZIRANGAN UNIVERSITY, JORHAT



NORTH EAST DISTILLERIES PRIVATE LIMITED



INSTITUTE OF ADVANCED STUDIES OF SCIENCE AND TECHNOLOGY (IASST, GUWAHATI)



CENTRAL MUGA ERII RESEARCH RESEARCH AND TRAINING INSTITUTE



INDIA METROLOGICAL DEPARTMENT



KRISHNA KANTA HANDIQUI STATE OPEN UNIVERSITY



ALL INDIA INSTITUTE OF MEDICAL SCIENCE, GUWAHATI



ASCEND TELECOM INFRASTRUCTURE PRIVATE LIMITED



TEZPUR UNIVERSITY, TEZPUR



TEA BOARD OF INDIA, GUWAHATI



IIT, GUWAHATI, ASSAM



JORHAT ENGINEERING COLLEGE, JORHAT



NUMALIGARH REFINERY LIMITED, GUWAHATI

CONTACT US:

Regd address : 704/1, Anjana Apartment
2nd Floor Jogendra Gardens Road,
Kasba, Kolkata 700078
West Bengal, India
Mobile :9831072858 / 9836353450

Branch Office: M/S Kaustav Engineering
H.No-3, 2nd Floor, Sanskrit College Road,
Near Raddision Blu Hotel, Gota Nagar, Jalukbari
Guwahati, Kamrup ,Assam-781014

Mailto: info@kaustavengineering.com
kaustavmachine20@gmail.com

GSTN: 19BKHPS3316PIZH
MSME: UDYAM-WB-0004985

www.kaustavengineering.com

Certified by :

